

Toilet tissue dispenser to build in

- Toilet paper dispenser in stainless steel to build in.
- Suitable for one toilet roll.
- Durability and resistance to corrosion.
- Easy mounting.
- Stainless steel satin finish. Also available in polish finish (NOFER 05204.B).



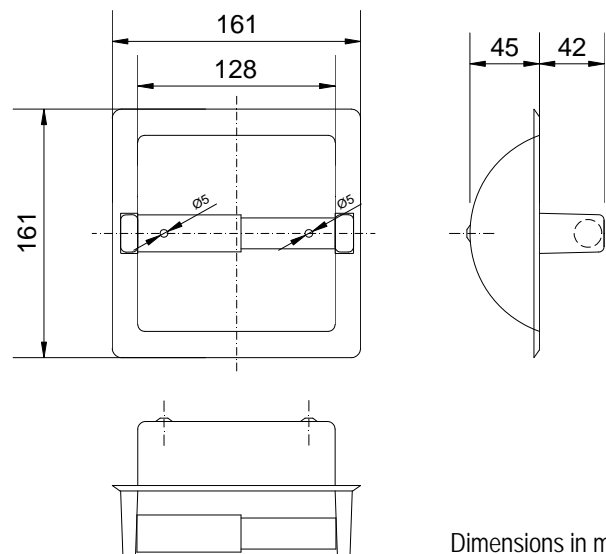
The picture belongs to NOFER 05204.B

TECHNICAL DATA

- Made in AISI 304 stainless steel.
- Suitable for roll Ø 140 mm max.
- Moveable axle to substitute the roll.
- Dimensions at sight: 161 high x 161 wide x 45,5 deep mm.
- Screws included.
- Approx hole in wall for recessed part: 140 high x 140 wide x 45 deep mm.
- Maintenance: Stainless steel needs maintenance because dust can eventually damage the chrome in stainless steel. We recommend monthly cleaning with our special product.

SUGGESTED TEXT FOR PRESCRIPTION

Toilet tissue dispenser in AISI 304 stainless steel NOFER or similar, to build in. Dimensions at sight: 161 high x 161 wide x 45,5 deep mm.

TECHNICAL DRAWING


Dimensions in mm



NOFER S.L.
 Avenida de la fama, 118
 08940 · Cornellà de Llobregat (Barcelona)
 Tel +34 934 742 423 · Fax +34 934 743 548
 nofer@nofer.com · www.nofer.com

Related Products



05015.S



05101.S



05105.S



05107.S



05203.B



05200.S